

Fundo *Trollo* | designer shower

Please note:
Order the matching drain
(from p. 36) and drain cover
(from p. 45).



Fundo Trollo, designer shower



Extension collar



Fundo Trollo, designer shower with glass swing door

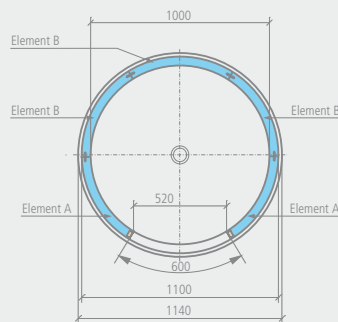
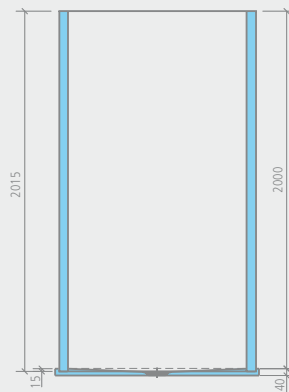
Description	Dimensions	Packing unit	Order no.
Fundo Trollo, designer shower consisting of:			
Fundo Trollo, wall element	2015 mm (Height)	1 unit	04-17-09/000
Fundo Trollo, floor element	1140 x 40 mm (Ø x H)	1 unit	07-37-36/575

Options	Dimensions	Packing unit	Order no.
Extension collar	500 mm	1 unit	04-17-09/050
Glass swing door	1990 mm	1 unit	60-80-01/100

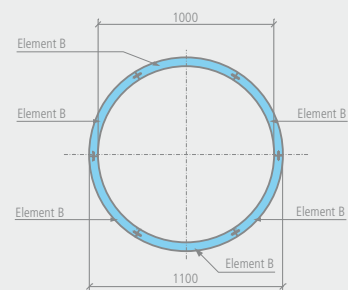
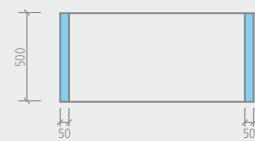
- ! The glass door can only be mounted after tiling.
- ! 2 x labour
- m² Fundo Trollo, designer shower:
 - Inside wall: approx. 6.10 m²
 - Outside wall: approx. 6.90 m²
 - Floor: approx. 0.80 m²
- Extension collar:
 - Inside wall: approx. 1.60 m²
 - Outside wall: approx. 1.80 m²

Technical drawings

Fundo Trollo, designer shower



Fundo Trollo, extension collar



Fundo Trollo *libero* | designer shower

Drain included in price! Please select a suitable drain from page 36.



Fundo Trollo *libero*, designer shower



Extension collar



Fundo Trollo *libero*, designer shower, with glass swing door

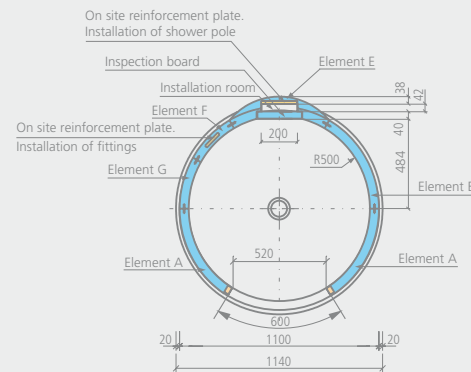
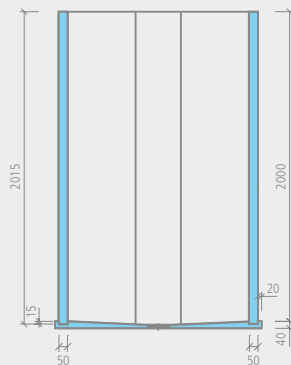
Description	Height	Packing unit	Order no.
Fundo Trollo <i>libero</i> , designer shower	2040 mm	1 unit	07-37-63/100

Options			
Extension collar	500 mm	1 unit	04-17-09/051
Glass swing door	1990 mm	1 unit	60-80-01/100

- ! • The Fundo Trollo *libero* can be positioned anywhere in the room.
- ! • The glass door can only be mounted after tiling.
- 👷 2 x labour
- 📏 **Fundo Trollo *libero*, designer shower:**
 - Inside wall: approx. 6.10 m²
 - Outside wall: approx. 6.90 m²
 - Floor: approx. 0.80 m²
- Extension collar:**
 - Inside wall: approx. 1.60 m²
 - Outside wall: approx. 1.80 m²
- 🔧 **Fundo Trollo *libero*, designer shower**
 - 1 floor element
 - 2 wall segments type "A"
 - 1 wall segment type "B"
 - 1 wall segment type "E" (with reinforcement for fittings and shower head)
 - 1 wall segment type "F" (with reinforcement for installing the shower rail)
 - 1 wall segment type "G"
 - 1 inspection board (BA 40)
 - 5 springs
 - 2 x 25 m joint reinforcement tape, self-adhesive
 - 4 pieces wedi 610, adhesive sealant

Technical drawings

Fundo Trollo *libero*, designer shower



Fundo Trollo *libero*, extension collar

